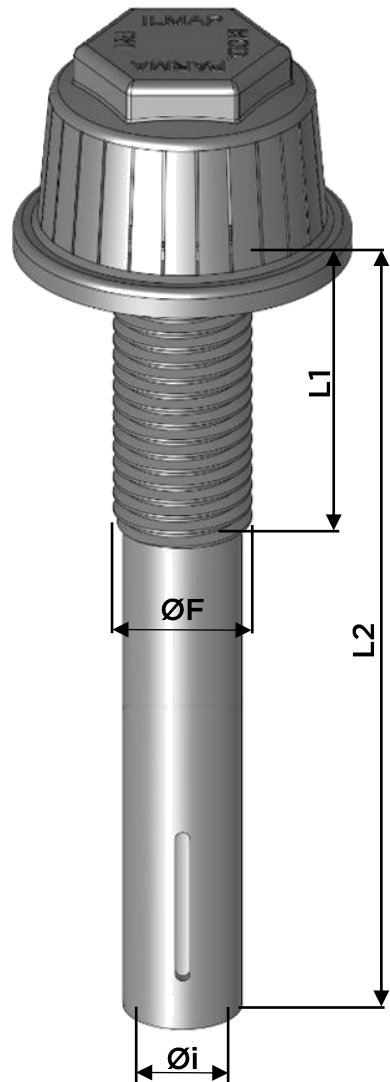


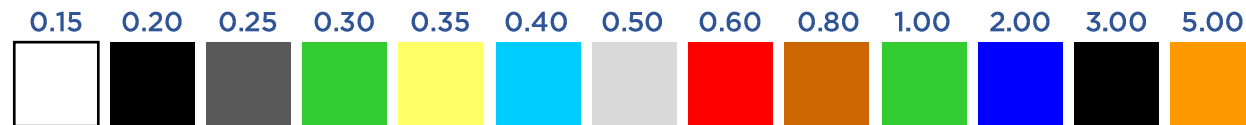
FILTER NOZZLE IDENTIFICATION



THE SHAPE OF NOZZLE HEAD IDENTIFIES THE MODEL



THE COLOR OF NOZZLE HEAD IDENTIFIES THE SLOT DIMENSION (mm)



Polypropylene Nozzles are colored to allow the fast identification of the main features. PVDF (natural white) or PPFV (natural ivory) nozzles are produced without colors. Nozzles and accessories in polypropylene in accordance with ACS France and Food Safety Regulation 1935/2004 EC are produced without color (natural opalescent white).

THE COLOR OF NOZZLE STEM IDENTIFIES THE THREAD STANDARDS

METRIC THREAD				ØF (mm)	WHITWORTH OR GAS THREAD						
20	24	27	30		23.5	25.4	31.7	20.9	26.3	33.2	40.5
M20	M24	M27	M30		15/16"W	1"W	1 1/4"W	1/2"G	3/4"G	1"G	1 1/4"G

THE STEM CONFIGURATION IDENTIFIES THE NOZZLE STANDARD

THREAD LENGTH	STEM LENGTH	THREAD DEVIATION	STEM INNER Ø
L1	L2	L3	Øi
15 ÷ 70 mm	20 ÷ 400 mm	deviation of the thread from the head	14 - 16 - 21 mm