

# TURBODISC RANGE



## THE PERFECT SPRAYHEADS

- High Speed Wash
- Low Flow Rates
- No Ball Bearings
- Single Moving Part
- FDA *and* ATEX
- Reduced Down Time
- Reduced Effluent Costs
- Reduced Contamination
- Low Maintenance
- Regulatory Compliant

### VERSATILE & UNIQUE

The TURBODISC is the most powerful and economic range of tankwashers in its class. Unique in design, it is ball bearing free and has only one moving part, a rotating disc which instantly converts the wash fluid into a sphere of fast moving droplets. Total surface cover is achieved as fast moving droplets simultaneously cover the entire surface of the tank, inlet pipe and point of entry where contamination frequently occurs.

### APPLICATIONS

The TURBODISC range offers a wide choice of models in 316L stainless steel and Hastelloy C22. They are suitable for cleaning small and medium size process vessels, reactors, driers, granulators, storage tanks, tablet coating machines and IBCs. Compact in design, effective in performance, they meet all the essential FDA requirements of hygiene and product purity. Used in food, beverage, biotech, pharmaceutical and other hygiene conscious industries their cost effective reliability

is recognised worldwide and specified by end users, OEMs and contract design companies. TURBODISC tank washers are ideal for burst rinsing and can be placed into the tank at any angle.

### OPERATION

Wash fluid entering the TURBODISC is directed onto the precision shaped disc. Hydraulic bearings allow the disc to rotate friction free at high speed and the wash fluid is distributed in a dense spray. Performance is instant, impact strong, coverage total. Turbodiscs are supported technically by the Breconcherry global technical network. TURBODISC tankwashers are ideal for burst rinsing and can be placed into the tank at any angle.



# TURBODISC RANGE



**Breconcherry**  
SellersClean

Breconcherry Limited,  
Lynden House  
Lynden Business Park  
Ledbury, Herefordshire  
HR8 2DJ, UK

Tel: +44 (0)1531 632476  
Fax: +44 (0)1531 633839  
E-mail:  
CIP@breconcherry.com



**WATER  
TECHNOLOGY  
LIST**



We reserve the right to change specification without notice. Whilst we endeavour to provide accurate up to date information, all information is provided as a guide only.



**Breconcherry**  
SellersClean

## MINIMUM MANHOLE/FLANGE SIZE

The minimum manhole/flange opening size required for unit insertion will depend on the unit size chosen, but ranges from 30mm to 75mm.

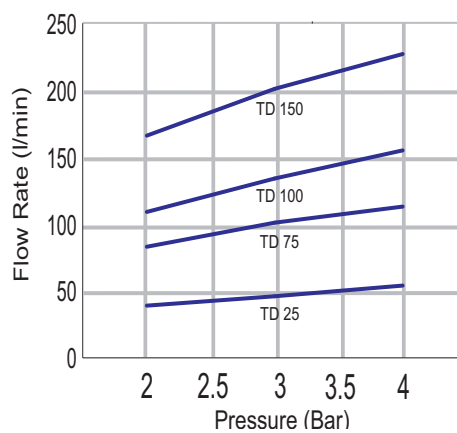
## TECHNICAL DATA

**Standard Materials of Construction:** Stainless Steel 316L, PTFE, C.PTFE  
**Max. Operating Temperature:** 95° Centigrade  
**Max. Ambient Temperature:** 140° Centigrade  
**Standard Connections:** BSP/NPS,  
**Nozzle Characteristics:** 360° Spray Pattern

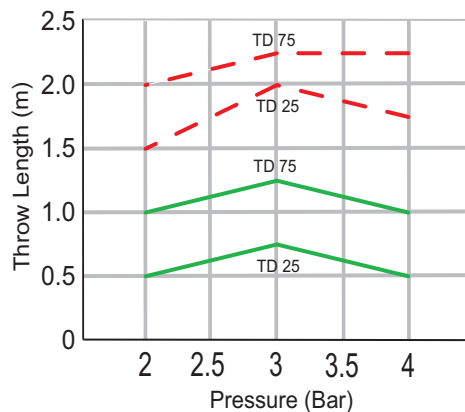
Other materials, spray patterns and connections are available. Please contact us for a quotation.

## GENERAL ARRANGEMENT DRAWINGS

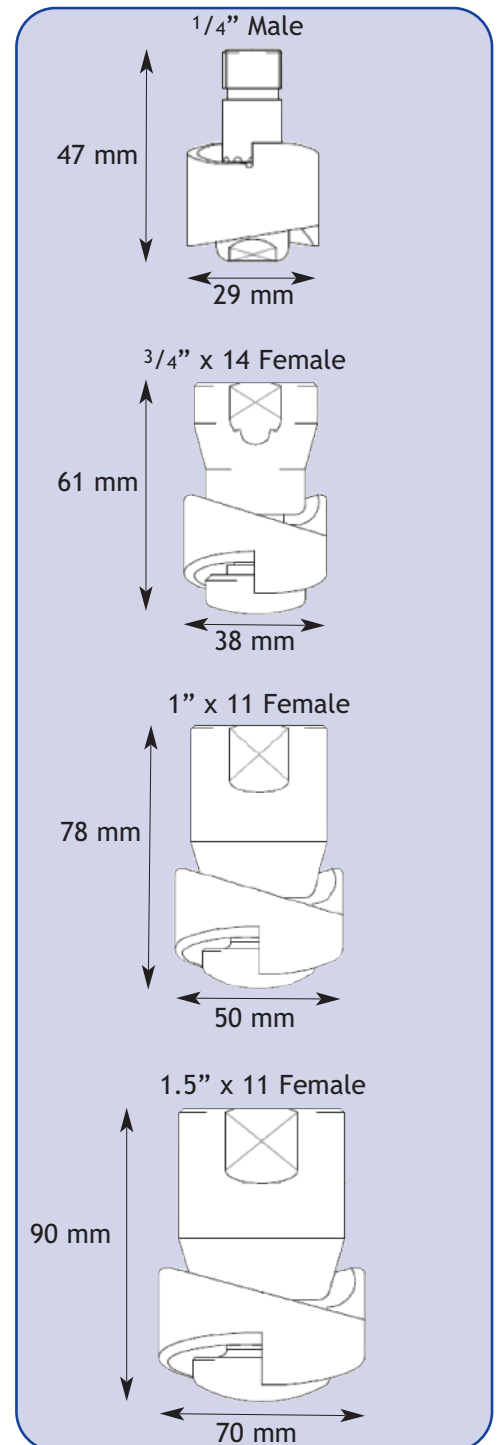
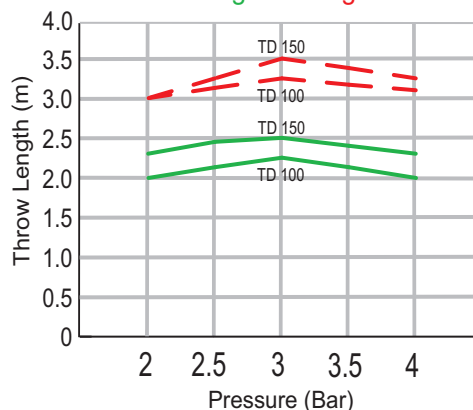
Flow Rate Verses Pressure.



Cleaning / Wetting Radius



Cleaning / Wetting Radius



For optimal efficiency use a pre-filter or strainer to prevent particulate clogging.