

TORUS 50 / 75



THE PERFECT LOW FLOW LOW PRESSURE TANK WASHER

- **High Speed Wash** - **Reduced Down Time**
- **Low Flow Rates** - **Reduced Water, Chemical & Effluent Cost**
- **Low Pressure Operation** - **Health & Safety Friendly**
- **Compact Design** - **Ideal For Small Vessels/Pipes**

VERSATILE & UNIQUE

The Breconcherry Torus is ideally suited for applications where low flow and low pressure demands are critical. The ability to operate from pressures as low as 0.5 bar with flow rates as low as 8 litres per minute enables the Torus to operate in many areas previously cleaned by manual means as well as larger main stream applications. The Torus range offers a wide choice of models which can be customised to meet individual customer requirements for flow and pressure dynamics.

APPLICATIONS

Ideally suited to low flow, low pressure application such as glove box / biohazard containment areas, the rotary disc can be grasped or touched during operation and will not damage the glove. The Torus is compact enough to be mounted inside pipe work to flush pipe work through, or used to replace standard spray balls / wash heads in larger vessels. Torus is manufactured from FDA-approved materials to give complete sanitary compliance for the pharmaceutical and food industries. ATEX exempt versions are also available.

OPERATION

Wash fluid is directed through the slots on the rotating disc, dispensing a spray of fast moving droplets giving total coverage. Ideal for burst rinsing or prolonged washing with instant, strong impact performance. The Torus is available in 180° and 360° wash patterns.



Breconcherry
SellersClean

WWW.BRECONCHERRY.COM

TORUS 50 / 75



Breconcherry Limited,
Lynden House
Lynden Business Park
Ledbury, Herefordshire
HR8 2DJ, UK

Tel: +44 (0)1531 632476
Fax: +44 (0)1531 633839
E-mail:
CIP@breconcherry.com



We reserve the right to change specification without notice. Whilst we endeavour to provide accurate up to date information, all information is provided as a guide only.

MAINTENANCE & INSPECTION

The low wear design requires minimal maintenance. No Spare parts are required. Technical assistance or repair facilities required can be obtained through the global Breconcherry distributor network. As with all mechanical devices, it is recommended that the unit be regularly inspected for correct operation.

MINIMUM MANHOLE/FLANGE SIZE

The minimum manhole/flange opening size required for unit insertion for the Torus 50 is 42mm and for the Torus 75 it is 52mm.

TECHNICAL DATA

Materials of Construction: Stainless Steel 316, PTFE, CF-PTFE

Max. Operating Temperature: 95° Centigrade

Max. Ambient Temperature: 140° Centigrade

Standard Connections:

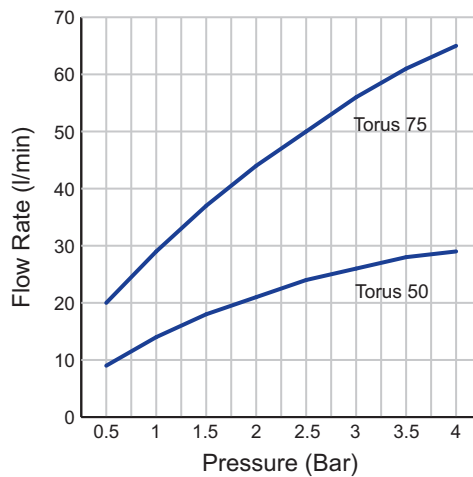
Torus 50 3/8" BSP/NPT Female

Torus 75 1/2" BSP/NPT Female

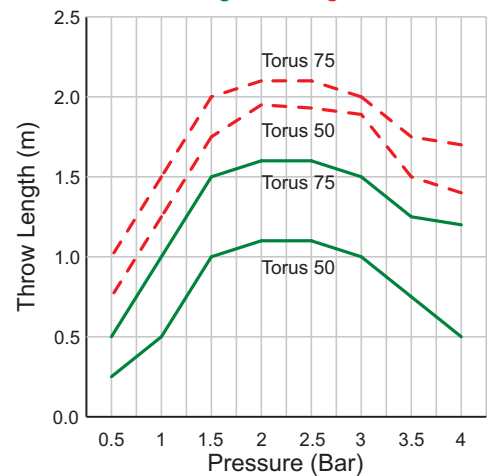
Nozzles Characteristics: 4 slots
360° Spray Pattern

Other materials, spray patterns and connections are available. Please contact us for a quotation.

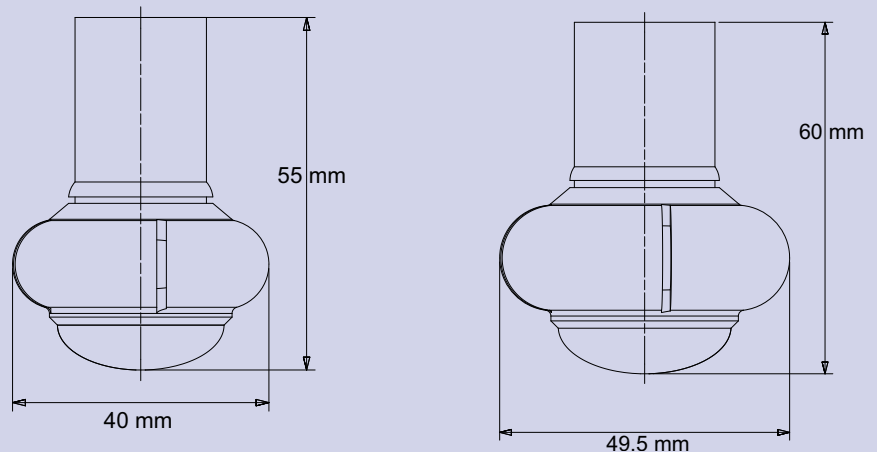
Flow Rate Verses Pressure



Cleaning / Wetting Radius



GENERAL ARRANGEMENT DRAWING



For optimal efficiency use a pre-filter or strainer to prevent particulate clogging.

