

TORUS 100



THE PERFECT SPRAY BALL REPLACEMENT

- **Ultra Hygienic Design** - **Reduced Contamination**
- **One Moving Part** - **Lower Maintenance Costs**
- **Fast Effective Wash** - **Reduced Cleaning/Down Time**
- **Powerful Jets** - **Reduced Cleaning Time**

VERSATILE & UNIQUE

The Torus 100 has a very simple yet highly effective design. The unique design of the rotating disc of water provides instant and effective total coverage across the inside of the vessel. This action provides consistent repeatable cleaning. The single moving part provides a very low maintenance, very low cost of ownership and compact cleaning solution.

APPLICATIONS

The Torus 100 is ideal for replacing fixed or rotating spray balls. The high energy, fast moving droplets provide very effective impingement up to two metres, meaning a single unit can clean vessels up to four metres in diameter. Compact in design, effective in performance, they meet all the essential FDA material requirements and are also available in ATEX exempt form. This makes the units highly suitable for the pharmaceutical, biotech, food, beverage and other hygiene conscious industries.

OPERATION

Wash fluid enters a drive chamber creating a disc of moving water. The wash fluid exits the unit through the small number of slots in the external disc. The specially designed pattern of slots ensures the high energy droplets use the minimum amount of wash fluid to deliver optimum performance.



Breconcherry
SellersClean

WWW.BRECONCHERRY.COM

TORUS 100



Breconcherry
SellersClean

Breconcherry Limited,
Lynden House
Lynden Business Park
Ledbury, Herefordshire
HR8 2DJ, UK

Tel: +44 (0)1531 632476
Fax: +44 (0)1531 633839
E-mail:
CIP@breconcherry.com



We reserve the right to change specification without notice. Whilst we endeavour to provide accurate up to date information, all information is provided as a guide only.

MAINTENANCE & INSPECTION

The low wear design requires minimal maintenance. Any spare parts, technical assistance or repair facilities required can be obtained through the global Breconcherry distributor network. As with all mechanical devices, it is recommended that the unit be regularly inspected for correct operation.

MINIMUM MANHOLE/FLANGE SIZE

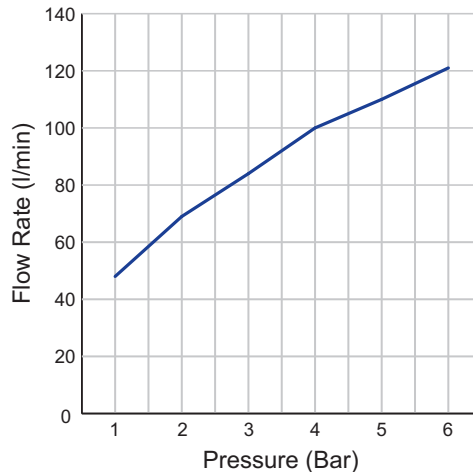
The minimum manhole/flange opening size required for unit insertion is 70mm.

TECHNICAL DATA

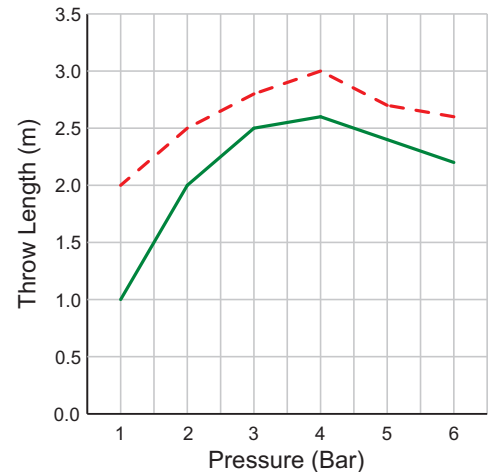
Materials of Construction: Stainless Steel 316/316L, PTFE, C-PTFE,
Max. Operating Temperature: 100° Centigrade
Max. Ambient Temperature: 140° Centigrade
Standard Connection: 1" Pin Fix
Nozzles Characteristics: 360° Spray Pattern

Other materials and spray patterns are available. Please contact us for a quotation.

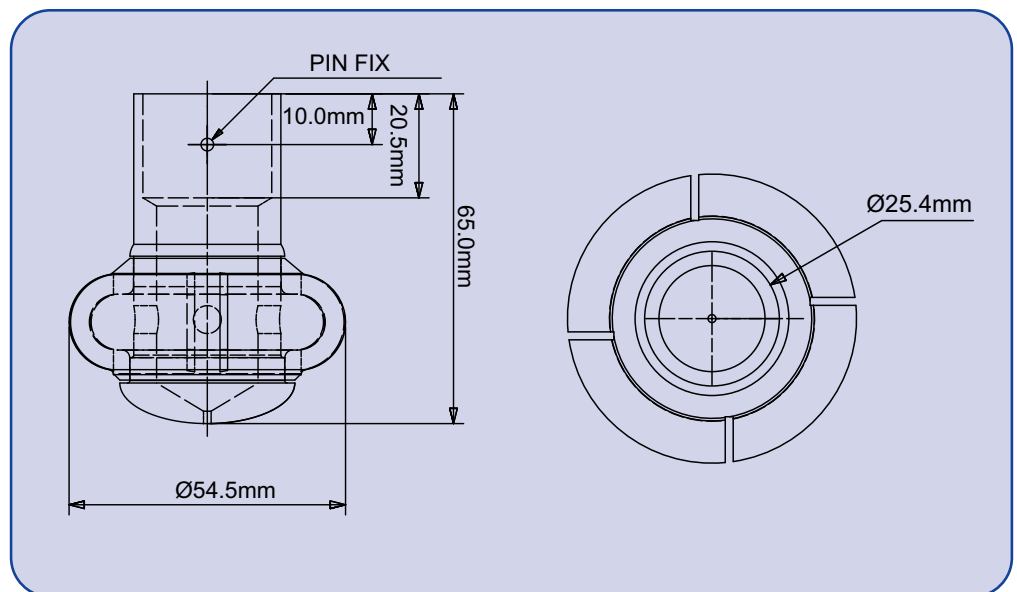
Flow Rate Verses Pressure



Cleaning / Wetting Radius



GENERAL ARRANGEMENT DRAWING



For optimal efficiency use a pre-filter or strainer to prevent particulate clogging.



Breconcherry
SellersClean