

# TEMPEST



## THE PERFECT TANK WASHER

- **Ultra Hygienic Design** - **Reduced Contamination Risk**
- **Low Maintenance** - **Low Operating Costs**
- **Economic Flow Rate** - **Reduced Effluent/Chemicals**
- **'High Dwell Time Jets'** - **Fast Cleaning, Short Down Time**

### VERSATILE & UNIQUE

The Breconcherry Tempest is designed to be one of the most powerful, and versatile cleaning units in its class. The sleek, smooth exterior, combined with the unit's self cleaning abilities, provides an ultra hygienic exterior surface suitable for use in the most hygiene conscious environments. The unit is powered by a simple turbine drive, resulting in low maintenance and very low running costs. The constant, repeatable and validateable action of the unit provides very powerful, stable jets with high dwell times, maximising chemical contact time and mechanical energy. When combined with the new Veri-Clean validation system, the package makes the perfect jetting cleaning system.

### APPLICATIONS

The Tempest's ultra sleek design, is ideally suited to all applications where hygiene is a priority. The compact nature of the design combined with the high power jets, makes it perfect for cleaning a variety of vessel sizes and manufacturing equipment. Tempest units can be used in the brewing, beverage, dairy, food, chemicals, coatings and transport industries. The units can be used on permanently fixed or mobile installations.

### OPERATION

Cleaning fluid powers a turbine mechanism which drives the vertically aligned gearbox. The controlled rotation of the nozzles creates a spiral cleaning pattern, which builds to cover the entire surface of the vessel. The cleaning pattern is predictable, reproducible and verifiable. Functionality of the unit can be enhanced by the addition of the "Veri-Clean" validation system.



**Breconcherry**  
SellersClean

[WWW.BRECONCHERRY.COM](http://WWW.BRECONCHERRY.COM)

# TEMPEST



Breconcherry Limited,  
Lynden House  
Lynden Business Park  
Ledbury, Herefordshire  
HR8 2DJ, UK

Tel: +44 (0)1531 632476  
Fax: +44 (0)1531 633839  
E-mail:  
CIP@breconcherry.com



We reserve the right to change specification without notice. Whilst we endeavour to provide accurate up to date information, all information is provided as a guide only.

## MAINTENANCE & INSPECTION

The low wear design requires minimal maintenance. Any spare parts, technical assistance or repair facilities required can be obtained through the global Breconcherry distributor network. As with all mechanical devices, it is recommended that the unit be regularly inspected for correct operation.

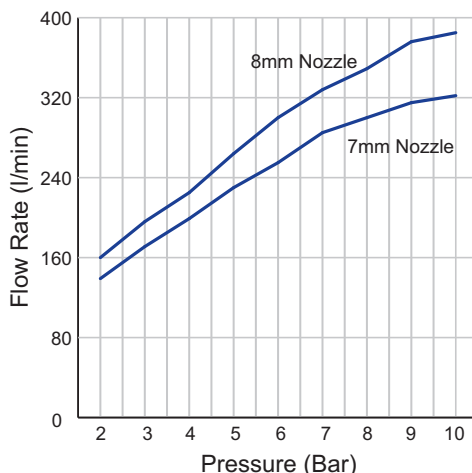
## MINIMUM MANHOLE/FLANGE SIZE

The minimum manhole/flange opening size required for unit insertion is 210mm.

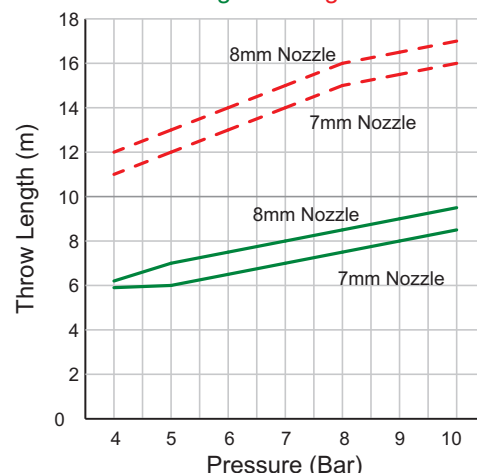
## TECHNICAL DATA

<b>Materials of Construction:</b>	Stainless Steel 316L, CPTFE, CPEEK
<b>Max. Operating Temperature:</b>	95° Centigrade (203°F)
<b>Max. Ambient Temperature:</b>	140° Centigrade ( 284°F)
<b>Standard Connections:</b>	1.5" BSP/NPT Female
<b>Nozzles Characteristics:</b>	360° Spray Pattern 4x 7mm Nozzles 4x 8mm Nozzles

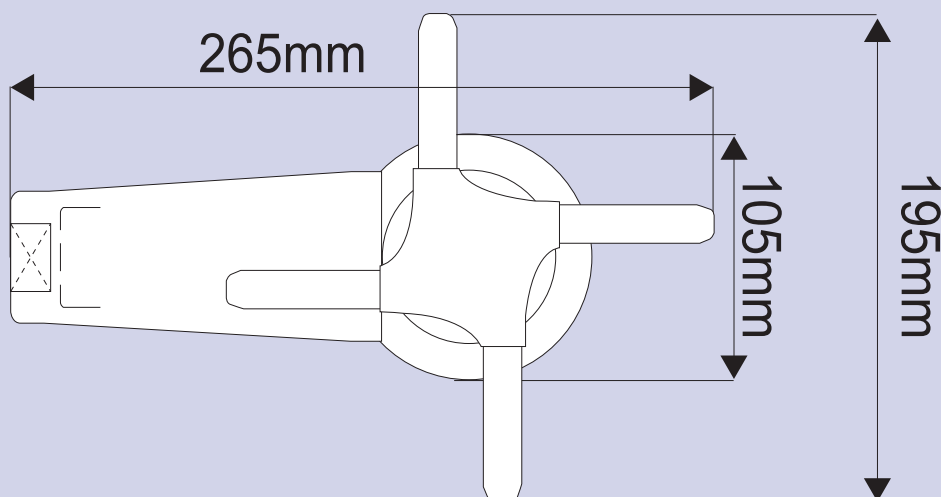
Flow Rate Verses Pressure



Cleaning / Wetting Radius



## GENERAL ARRANGEMENT DRAWING



For optimal efficiency use a pre-filter or strainer to prevent particulate clogging.

