

# SANITOR



## ULTRA SANITARY, LOW FLOW, VARIABLE PRESSURE TANKWASHER

- **Slow Constant Rotation** - **Improved Cleaning Action**
- **No Bearings** - **No Maintenance, Longer Life**
- **Variable Pressure Input** - **Flexible Operating Parameters**
- **Compact Design** - **Ideal For Small Vessels / Pipes**
- **ATEX Exempt & FDA Approved** - **Regulatory Compliant**

### VERSATILE & UNIQUE

The Breconcherry Sanitor is ideally suited for applications where a compact, low flow, high sanitary unit is required. The unique design offers flexible operating parameters from 2 bar to 20 bar, with flow rates from 24 l/min. The omission of bearings greatly increases the unit life and prohibits any contamination issues associated with bearing degradation. Additionally this unit offers ATEX exemption and FDA approved materials for a total regulatory compliant package.

### APPLICATIONS

Ideally suited to low flow, variable pressure applications where a slow constant rotation speed is required to give longer chemical dwell times for improved cleaning efficiency. The wide operating pressure band makes the units truly versatile across any industry sector. The units are suitable for cleaning small/medium size vessels and manufacturing equipment. Compact in design, effective in performance, they meet all the essential FDA requirements of hygiene and purity. This makes them highly suitable for the pharmaceutical, and biotech industries as well as food, beverage and other hygiene conscious industries.

### OPERATION

Wash fluid is directed through the three slots on the rotating central barrel, producing three independent strong fan jets giving total coverage. Each fan jet targets a specific area of the vessel. Ideal for burst rinsing or prolonged washing with instant, strong impact performance. The Sanitor is available in 360° wash patterns.



**Breconcherry**  
SellersClean

[WWW.BRECONCHERRY.COM](http://WWW.BRECONCHERRY.COM)

# SANITOR



Breconcherry Limited,  
Lynden House  
Lynden Business Park  
Ledbury, Herefordshire  
HR8 2DJ, UK

Tel: +44 (0)1531 632476  
Fax: +44 (0)1531 633839  
E-mail:  
CIP@breconcherry.com



We reserve the right to change specification without notice. Whilst we endeavour to provide accurate up to date information, all information is provided as a guide only.

## MAINTENANCE & INSPECTION

The low wear design requires minimal maintenance. Any spare parts, technical assistance or repair facilities required can be obtained through the global Breconcherry distributor network. As with all mechanical devices, it is recommended that the unit be regularly inspected for correct operation.

## MINIMUM MANHOLE/FLANGE SIZE

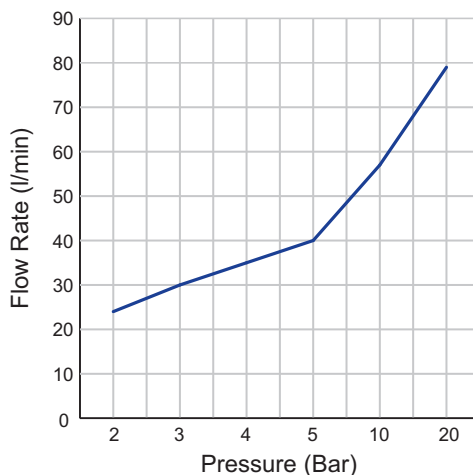
The minimum manhole/flange opening size required for unit insertion is 32mm.

## TECHNICAL DATA

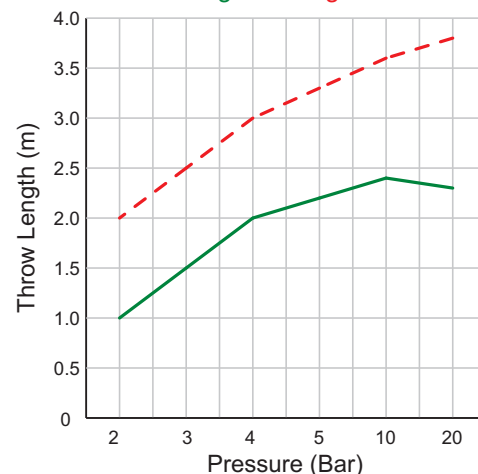
**Materials of Construction:** Stainless Steel 316L  
**Max. Operating Temperature:** 95° Centigrade  
**Max. Ambient Temperature:** 140° Centigrade  
**Standard Connections:** 3/8" BSP/NPT Female  
**Nozzles Characteristics:** 360° Spray Pattern

Other connections are available. Please contact us for a quotation.

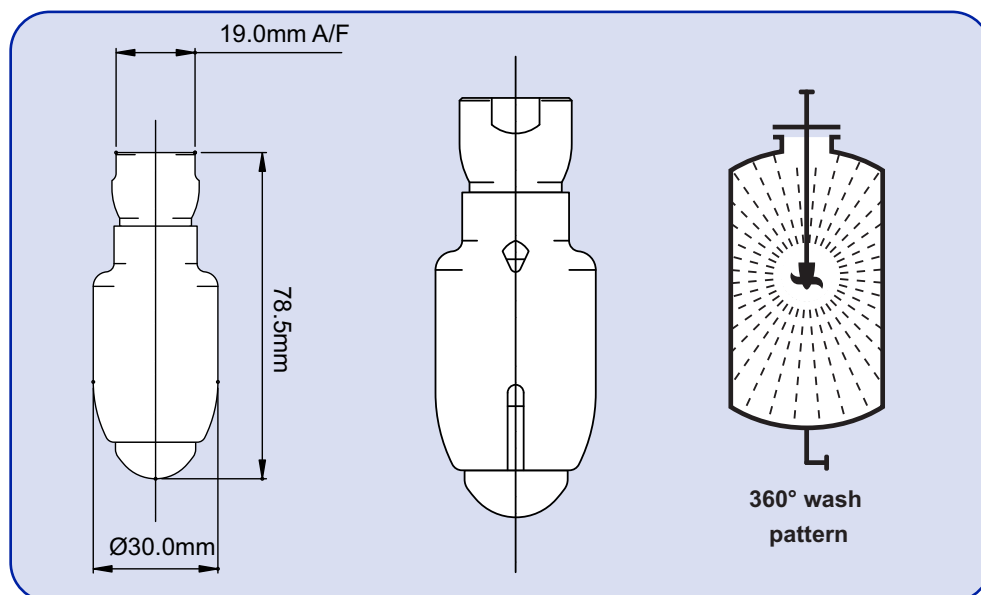
Flow Rate Verses Pressure



Cleaning / Wetting Radius



## GENERAL ARRANGEMENT DRAWINGS



For optimal efficiency use a pre-filter or strainer to prevent particulate clogging.

