

# FURY TWB



## THE PERFECT LOW FLOW HIGH POWER TANKWASHER

- **High Power Jets** - 5 to 25 Bar Pressure Range
- **Low Flow Rates** - 25 Lts / min to 100 Lts / min
- **Fast Wash** - Reduces Turn Round Time
- **Cage Protection** - Reduces Damage & Maintenance
- **Low Fluid Use** - Reduces Effluent by up to 60%

### VERSATILE & UNIQUE

The Breconcherry TWB is a specially designed cleaning unit, producing High Power, low flow wash jets which oscillate through 60° while the tank washer continually indexes around the central axis, safe from damage in the index synchronised protective cage. The TWB is ideal where High Power jet and low flow volumes of cleaning fluid are essential to minimise effluent costs and reduce the wash cycle, while giving minimum maintenance costs and long life.

### APPLICATIONS

The versatile TWB offers a 360° wash pattern for tote bins, process vessels, road tankers, and other transport containers. TWB is used extensively in the dairy, food, beverage, pharmaceutical, chemical, coatings, and road and rail transport industries. Lightweight and compact, the TWB can be used on a mobile basis or permanently installed.

### OPERATION

The TWB is self lubricating and driven by the wash fluid. With no high speed turbines or complex gear mechanisms, there is minimal wear and servicing of the extremely strong design of the TWB. The TWB indexing mechanism provides an evenly spaced wash pattern and the tankwasher nozzles are designed to give super effective surface coverage with maximum impact.



**Breconcherry**  
SellersClean

[WWW.BRECONCHERRY.COM](http://WWW.BRECONCHERRY.COM)

# FURY TWB



**Breconcherry**  
SellersClean

Breconcherry Limited,  
Lynden House  
Lynden Business Park  
Ledbury, Herefordshire  
HR8 2DJ, UK

Tel: +44 (0)1531 632476  
Fax: +44 (0)1531 633839  
E-mail:  
CIP@breconcherry.com



We reserve the right to change specification without notice. Whilst we endeavour to provide accurate up to date information, all information is provided as a guide only.

"Fury" is an internationally registered trade mark of Breconcherry Limited.  
Copyright © Breconcherry Limited  
1999

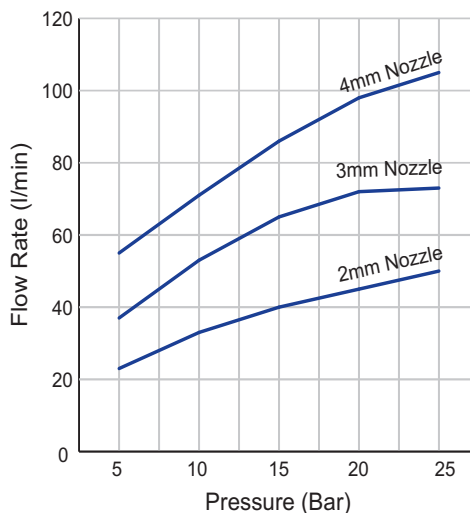
## TECHNICAL DATA

<b>Materials of Construction:</b>	Stainless Steel 316, PTFE, CF-PTFE, PEEK, Nitrile, Other materials available - Please call for details
<b>Max. Operating Temperature:</b>	120° Centigrade (248°F)
<b>Weight:</b>	4.4kg
<b>Nozzle Characteristics:</b>	3 nozzles 2mm, 3mm or 4mm diameter nozzles available 360° Spray pattern
<b>Standard Connections:</b>	3/4" BSP/NPT Female

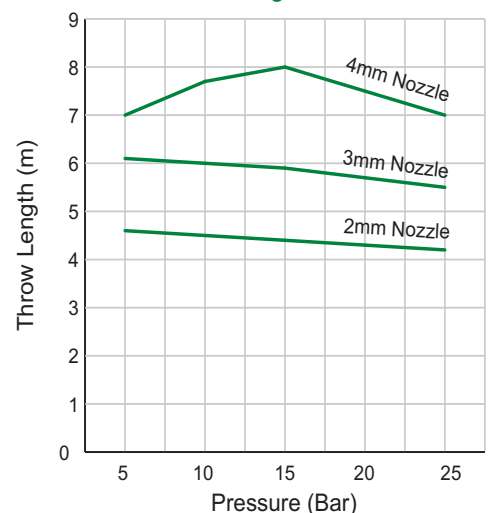
## MINIMUM MANHOLE/FLANGE SIZE

The smallest diameter recommended in normal use is 200mm/8." Care should be taken to avoid damage to the unit. Mount the Fury TWB rigidly in the tank or, for manual use, it can be suspended on a hose.

Flow Rate Verses Pressure

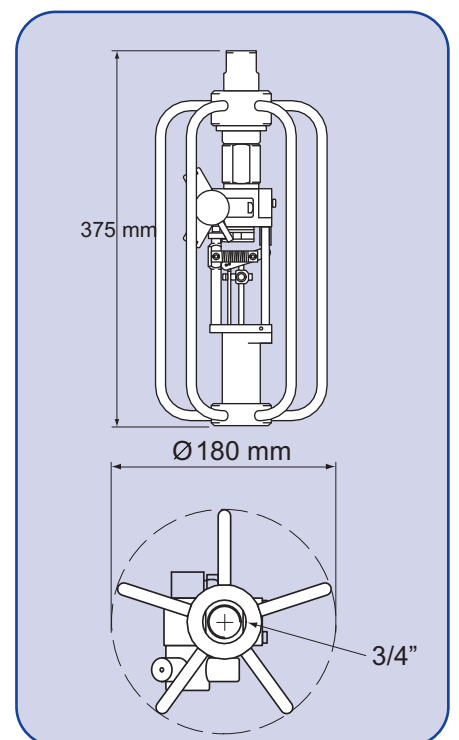
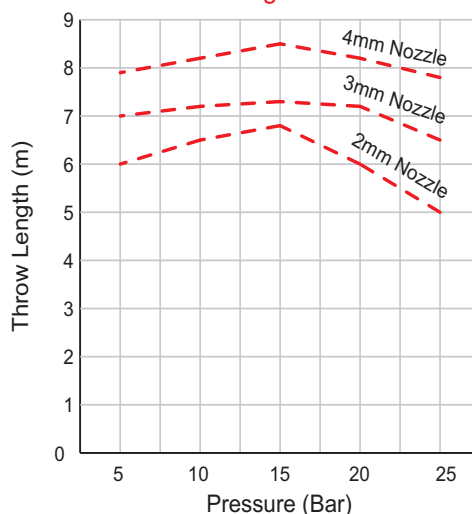


Cleaning Radius



## GENERAL ARRANGEMENT DRAWINGS

Wetting Radius



For optimal efficiency use a pre-filter or strainer to prevent particulate clogging.



**Breconcherry**  
SellersClean