

FURY TWB HP



THE PERFECT LOW FLOW HIGH POWER TANKWASHER

- **High Power Jets** - 25 to 90 Bar Pressure Range
- **Low Flow Rates** - 35 Lts / min to 70 Lts / min
- **Fast Wash** - Reduces Turn Round Time
- **Cage Protection** - Reduces Damage & Maintenance
- **Low Fluid Use** - Reduces Effluent by up to 60%

VERSATILE & UNIQUE

The Breconcherry TWB HP is a specially designed cleaning unit, producing High Power, low flow wash jets which oscillate through 60° while the tank washer continually indexes around the central axis, safe from damage in the index synchronised protective cage. The TWB HP is ideal where High Power jet and low flow volumes of cleaning fluid are essential to minimise effluent costs and reduce the wash cycle, while giving minimum maintenance costs and long life.

APPLICATIONS

The versatile TWB HP offers a 360° wash pattern for tote bins, process vessels, road tankers, and other transport containers. TWB HP is used extensively in the dairy, food, beverage, pharmaceutical, chemical, coatings, and road and rail transport industries. Lightweight and compact, the TWB HP can be used on a mobile basis or permanently installed.

OPERATION

The TWB HP is self lubricating and driven by the wash fluid. With no high speed turbines or complex gear mechanisms, there is minimal wear and servicing of the extremely strong design of the TWB HP. The TWB HP indexing mechanism provides an evenly spaced wash pattern and the tankwasher nozzles are designed to give super effective surface coverage with maximum impact.



Breconcherry
SellersClean

WWW.BRECONCHERRY.COM

FURY TWB HP



Breconcherry
SellersClean

Breconcherry Limited,
Lynden House
Lynden Business Park
Ledbury, Herefordshire
HR8 2DJ, UK

Tel: +44 (0)1531 632476

Fax: +44 (0)1531 633839

E-mail:

CIP@breconcherry.com



We reserve the right to change specification without notice. Whilst we endeavour to provide accurate up to date information, all information is provided as a guide only.

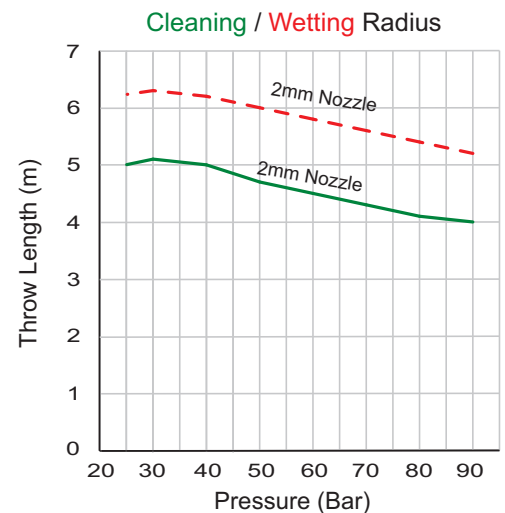
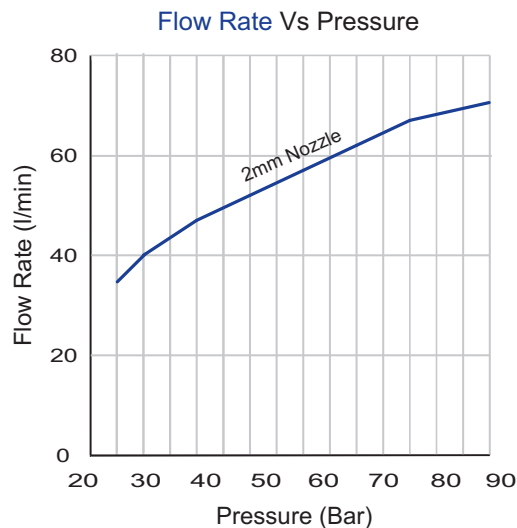
"Fury" is an internationally registered trade mark of Breconcherry Limited.
Copyright © Breconcherry Limited
1999

TECHNICAL DATA

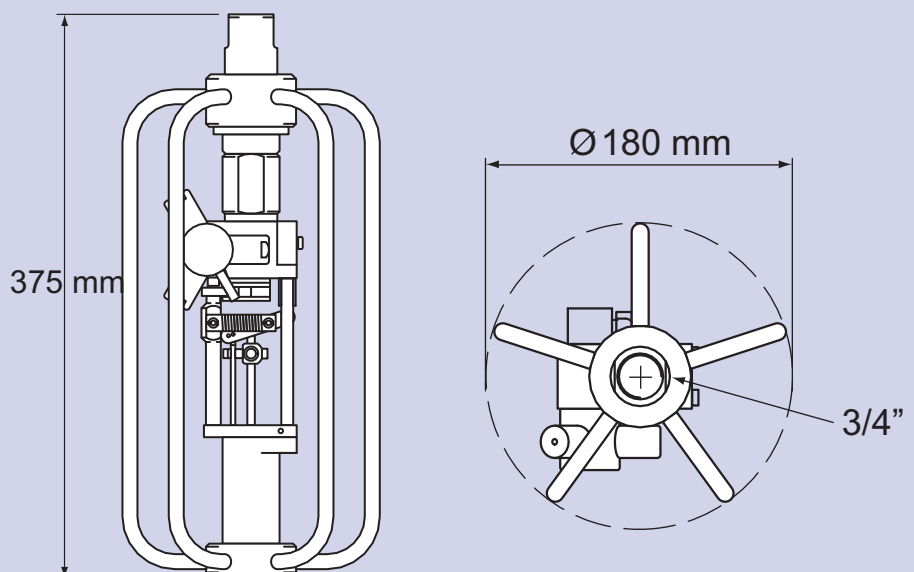
Materials of Construction:	Stainless Steel 316, PTFE, CF-PTFE, PEEK, Nitrile, Other materials available - Please call for details
Max. Operating Temperature:	120° Centigrade (248°F)
Weight:	4.4kg
Nozzle Characteristics:	3 nozzles 2mm diameter nozzles available. 360° Spray pattern
Standard Connections:	3/4" BSP/NPT Female

MINIMUM MANHOLE/FLANGE SIZE

The smallest diameter recommended in normal use is 200mm/8." Care should be taken to avoid damage to the unit. Mount the Fury TWB HP rigidly in the tank or, for manual use, it can be suspended on a hose.



GENERAL ARRANGEMENT DRAWINGS



For optimal efficiency use a pre-filter or strainer to prevent particulate clogging.



Breconcherry
SellersClean

WWW.BRECONCHERRY.COM